

Mueller
Human-Power

4893 Artino Ct. Eureka CA 95503 707-442-8133 mhp@Windwrap.com

AC RNS, Rubber Expanding Nuts Instructions

Thank you for choosing a Mueller Human-Power fairing accessories. Mark E. Mueller

Installation:

The order of rubber nut assembly is shown in figure 1. These Rubber Expanding Nuts require a 17/32 inch hole in the mounting hardware. This is a blind fastener which means that once the Rubber Expanding Nut Assembly is attached to the fairing it is simply pushed into the hole in the mounting hardware and tightened. The Rubber Nut Assembly does not need to be fully unscrewed to install or remove the fairing from the mounts. Be careful not to over tighten the rubber expanding nuts. Tighten them only enough to hold the fairing to the mounts.

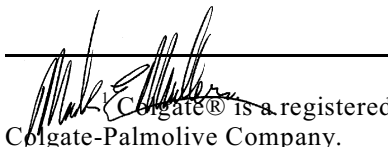
Transport and Care of your MHP Fairing:

Save the box and foam sheet that the fairing was shipped in. Or purchase and use a Mueller Human Power Fairing cover. When you transport your bike on the car remove the fairing from the bike. Put the screws, washers and nuts in a baggy, roll the fairing in the foam sheet and place the fairing in its box.

To keep your fairing in top shape handle it as little as possible. Wash with a hose or in a shower flowing plenty of water over the fairing while lightly wiping with a soft cotton cloth. Colgate®¹ toothpaste and a wet soft cloth will remove some scuffs. Never use whitener toothpaste because it is too abrasive. Restore luster with McGuire's®² Car Wax or even easier use Lemon Pledge® after washing the fairing. Also scratch removal compounds like Mirror Glaze can be found or ordered at art supplies (picture framing,) auto supplies, motorcycle shops, and plastic shops.

If things just aren't working right please give us a call toll free. I will do my best to help you out.
1-877-267-1645 toll free.
1-707-442-8133 international
or email: mhp@windwrap.com

Wishing you lots of bug free smiling!


Colgate® is a registered trade mark of Colgate-Palmolive Company.

²² Meguiar's® is a registered trade mark of Meguiar's, Inc.

owner, Mueller Human-Power

**Rubber Nut and Wing Screw Set
Order of Assembly**

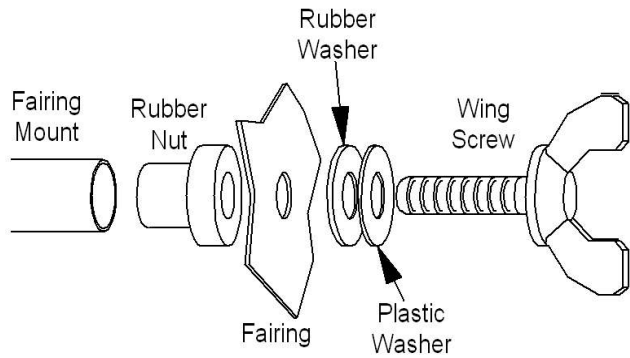


Figure 1

Warranty:

MHP fairings and mounting hardware are warranted against manufacturer's defects for one year after purchase. MHP Fairings are warranted against cracking for one year if installed properly on MHP mounting hardware.

Disclaimer:

In no event shall Mueller Human Power be liable for any indirect, incidental or consequential damages from the sale or use of the product.

mark of SC Johnson & Johnson Inc.

, and
Lemon
Pledge®
is a
registere
d trade